



Fiber Media converter

10/100Mbps and 10/100/1000Mbps User Manual

The Series is a kind of intelligent, adaptive and fast Ethernet converter devices. It can implement data transmission between twisted pair electrical signals and optical signals which are the two types of network connection media. This kind of media converter can extend the transmission distance to 0.55 kilometers (multimode) or 120 kilometers (single mode). Using media converter is an economical solution to achieve long distance transmission based on current status.

Features

- * In conformity to IEEE802.3 10base-T, IEEE802.3u 100 base-TX/FX, IEEE802.3ab 1000 base-T, IEEE802.3Z 1000base-SX/LX, IEEE802.1a, IEEE802.1PQ0S, IEEE802.1d Spanning Tree.
- * MDI/MDI-X Auto Negotiation
- * Supports 2U 19" System Chassis, holds up to 14pcs standalone type media converter or 16pcs card based media converter
- * Hot Pluggable & Wall-Mountable
- * Stable performance more than 50 thousands hours with fault-free
- * Unique IC solution applied
- * Supports 10/100Mbps and 10/100/1000M full/half duplex and auto-negotiations, easy upgrades
- * Supports VLAN transmission
- * Stable performance more than 50 thousands hours with fault-free
- * In conformity with safety code of FCC, CE and RoHS.

Specification

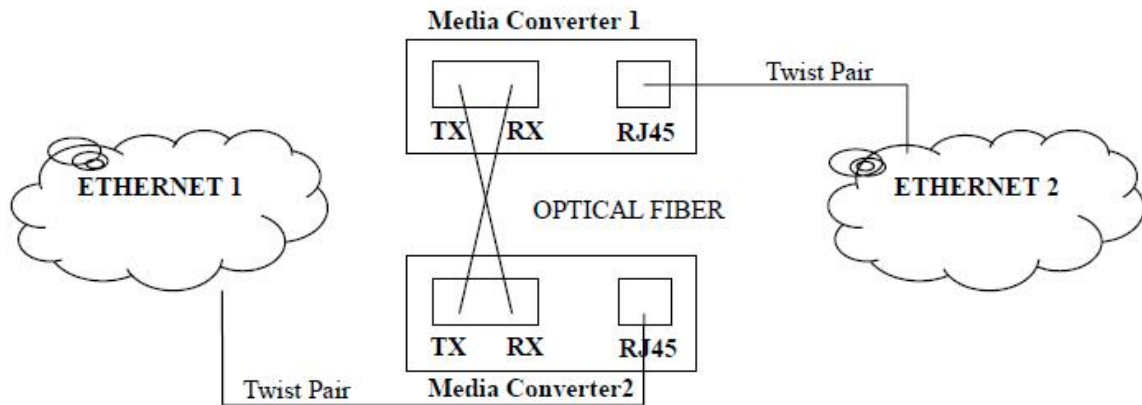
Rate	self-adaptive 10/100M or 10/100/1000M
Protocol supported	IEEE802.3/IEEE802.3U etc.
Fiber type	single / dual fiber
Optic mode	single / multimode
Transmission mode	half / full duplex
Ethernet interface	RJ-45
Optic interface	SC/FC/ST
Optic wavelength	850nm, 1310nm, 1550nm, Tx1310/Rx1550nm, Tx1550/Rx1310nm
BER	< 1/1000000000



MTBF	3 years
POWER	2.5W
Power supply	AC220V/0.5A, DC-48 V /0.5A, DC5V/1A
Working temperature	0~50°C
Working humidity	5%-95%
Storage temperature	-40°C~70°C
Storage humidity	5%~95%(no-condensing)
Weight	0.38KG
Dimensions	229x122x50mm for packing, 94x70.6x26.5mm for device

Application

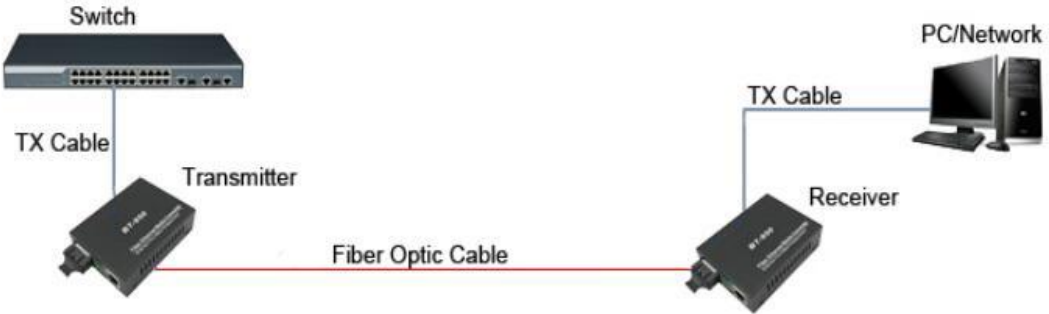
- * Extend your Ethernet connection up to 0~120km away using fiber optics
- * Creates an economical Ethernet-fiber/copper-fiber link for connecting remote sub-networks to larger fiber optic networks/backbones
- * Converts Ethernet to fiber, fiber to copper/Ethernet, ensuring optimum network scalability for connecting two or more Ethernet network nodes (e.g. connecting two buildings on the same campus)
- * Designed to provide high-speed bandwidth for demanding large scale work groups that require expansion of Gigabit Ethernet Network





System Design

1. For Networking



2. For CCTV Surveillance Security

