

Model: BD-ONT-112HW-AC
2LAN+WiFi(dual band) Dual Mode ONU
Quick Installation Guide
V1.1

Aug. 26, 2019

P01.030515

1. Indicator and Interface Description

1.1 Product Picture



Figure 1 2LAN+WiFi(dual band) Dual Mode ONU

1.2 Application Chart

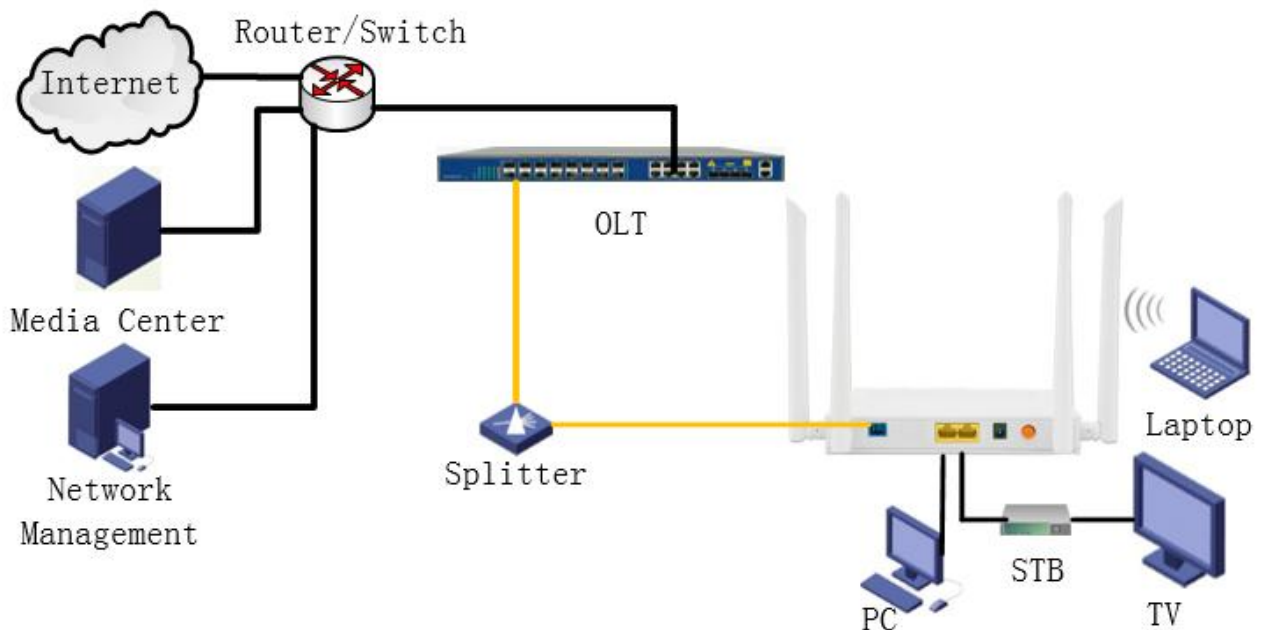


Figure 2 Application Chart

1.3 Panel Lights

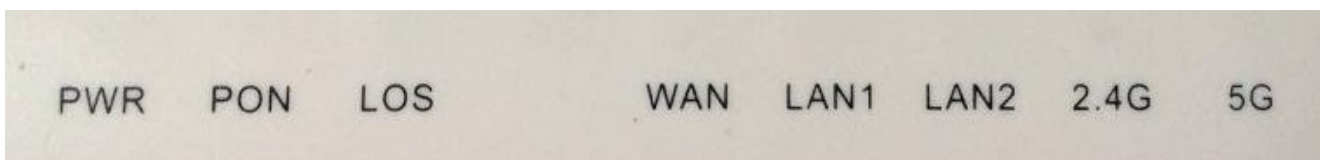


Figure 3 Panel Lights

LED	Mark	Status	Description
Power	PWR	On	The device is powered up.
		Off	The device is powered down.

Registration	PON	On	The device is registered to PON system.
		Off	Device is not registered to PON system.
		Blink	Device is registering.
Optical signal	LOS	Blink	Device does not receive optical signal.
		Off	Device has received optical signal.
WAN	WAN	On	WAN connection is up.
		Blink	Data passing WAN connection.
		Off	WAN connection is down.
Ethernet	LAN1 LAN2	On	Port is connected properly.
		Off	Port connection exception or not connected.
		Blink	Port is sending or/and receiving data.
Wireless	2.4G 5G	On	WiFi is turned on.
		Off	Device is power off or WiFi is turned off.
		Blink	WiFi turned on and with ongoing data transmission.

Table 1 Panel Lights

1.4 Interface/button Panel



Figure 4 Interface/button panel

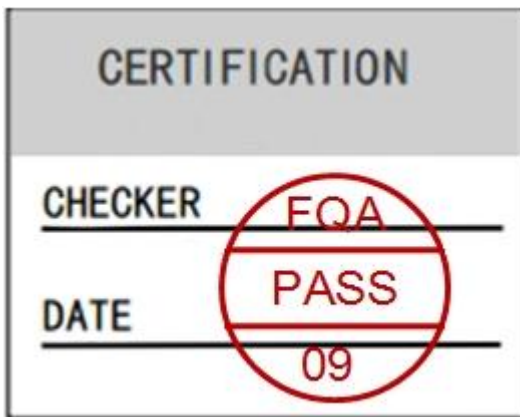
Name	Function
PON	Connect to OLT by SC type fiber connector, single mode optical fiber cable.
LAN1/2	Connect PC or other devices with Ethernet port by Cat5 cable, RJ-45 connector.
DC 12V	Connect with power adapter. DC 12V, 1A.
ON/OFF	Power supply switch.
RST	1. Press RST button over 10 seconds, onu restores factory default and reboot. 2. Press RST button quickly, onu reboots.
Pair	Press down WiFi pair button to begin pairing.
WiFi	Press down WiFi button to enable/disable WiFi function.

Table 2 Interface/button Panel

2. Packing List

Contents	Quantity	Contents	Quantity
Dual Mode ONU	1 pcs	Power adapter	1 pcs
Installation Guide	1 pcs	Network cable	1 pcs

3. Certification



4. Hardware Installation

Installation Environment Requirements

ONU equipment must be installed in the interior, and to ensure the following conditions:

- Confirmation at the ONU installation at sufficient space to facilitate cooling machine.
- ONU suitable operating temperature of $-5\text{ }^{\circ}\text{C} \sim 55\text{ }^{\circ}\text{C}$, humidity 10% to 90%.
- Device workplace should avoid radio transmitters, radar stations, and high-frequency interference from power equipment.

Equipment Installation

1. Installed on the desktop

Place the ONU on a clean bench, this installation is relatively simple, you can observe the following operation:

- Ensure the smooth workbench.
 - Around the device enough space for heat dissipation.
 - Do not place objects on the device.
- #### 2. Mounted on the wall
- Observation ONU equipment chassis two cruciform recess, in accordance with the position of the groove, installed two screws in the wall.
 - The original selected two mounting screws gently snap into recesses aligned.
 - Slowly let go, so that the device under the support of the screw hanging on the wall.
- #### 3. Connect fiber, network cable and power adapter to the corresponding interfaces, and turn on the power of product.